

# Model SSDFD-155 Dynamic Rated Fire Dampers

1 1/2 Hour Fire Resistance Rating

100% Free Area - Sealed for High Pressure Systems

## APPLICATION

Model SSDFD-155 is approved for use in walls, floors and partitions with fire resistance ratings less than 3 hours. This model carries a 1 1/2 hour UL fire damper label. UL 555 classifies dynamic rated fire dampers for use in HVAC systems that are operational in the event of fire.

## RATINGS

UL555 Fire Resistance Rating

Fire Rating: 1 1/2 hours

Dynamic closure rating

Maximum Velocity: 2000 fpm (10.2 m/s) vertical mount

Maximum Pressure: 4 in. wg (1 kPa)

## CONSTRUCTION

Stainless steel (in gauges required by UL listing R-13317)

## INSTALLATION

All fire damper installations require the use of sleeves, angles and methods described in Greenheck Fire Damper Installation Instructions #452763, included with every damper shipment. Sleeves can be field fabricated or factory furnished as a complete damper/sleeve assembly. See Factory Sleeve Option below for details.

## FEATURES

- Stainless steel closure springs
- Fusible links (165°F (74°C) standard, 212°F (100°C) available.
- Vertical or horizontal mount available

## OPTIONAL FEATURES

- Sealed transitions and sleeves
- Security bars
- One piece retaining angles (POC)
- Transitions (C, CO, CR, R)

## FACTORY SLEEVE OPTION

SSDFD-155 Fire Dampers are available in factory furnished sleeves. Sleeves are galvanized steel and are available in 10 thru 20 ga. (1mm- 3.5mm) thicknesses and lengths up to 36 in. (914mm).

“K” dimension specifies location of damper within the sleeve. Minimum is 4 in. (102mm), maximum is “L” less 4 in. (102mm), which allows for mounting angle installation and duct connection at each end of the sleeve. If “K” dimension is not specified, it will be provided as one half of “L” dimension (damper centered in sleeve).

Note: If using access doors, the door should be installed on the “K” side of the damper.

Model SSDFD-155 meets the requirements for fire dampers established by:

**National Fire Protection Association**

(NFPA Standards 80, 90A & 101)

**Underwriters Laboratories Standard 555** (Listing #R-13317)

**BOCA National Building Codes**

**IBC International Building Codes**

**ICBO Uniform Building Codes**

**SBCCI Standard Building Codes**

**New York City** (MEA listing #260-91-M)

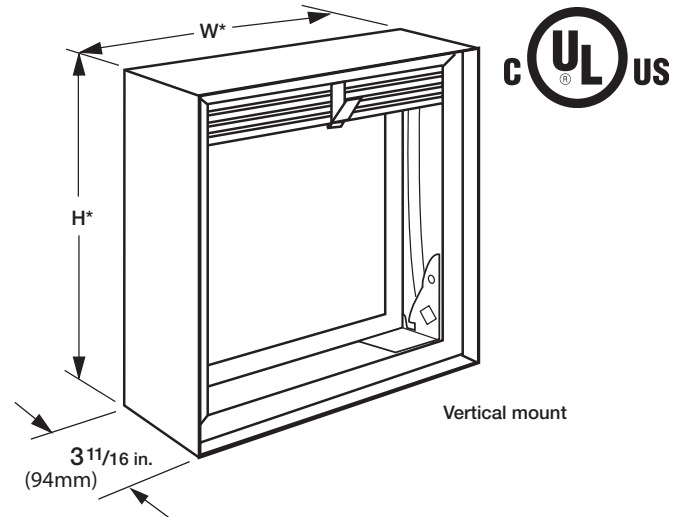
**California State Fire Marshall**

(Listing #3225-981:102)

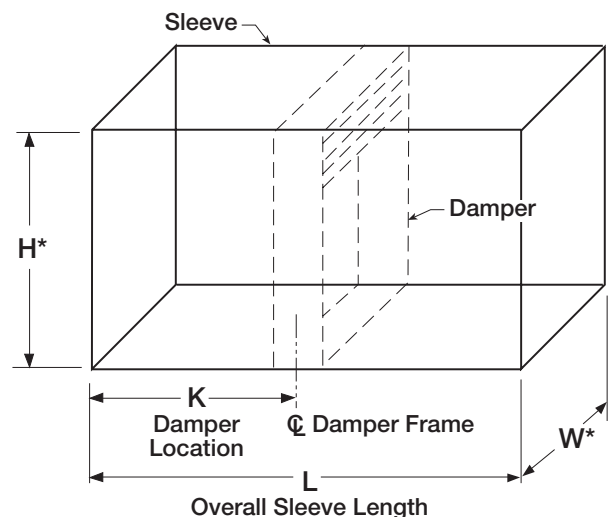
“UL CLASSIFIED (see complete marking on product)”

“UL CLASSIFIED to Canadian safety standards (see complete marking on product)”

Standard 555 (Listing #R13317)



\* These dimensions are furnished approximately 1/4in. (6mm) undersize.



# SSDFD-155 Type CR, CO, C, & R

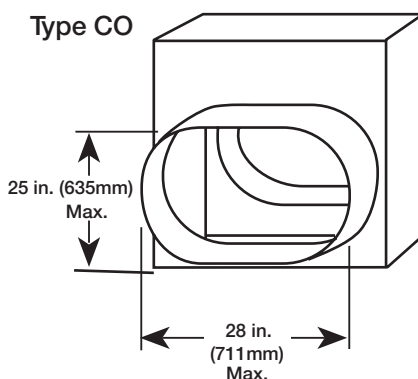
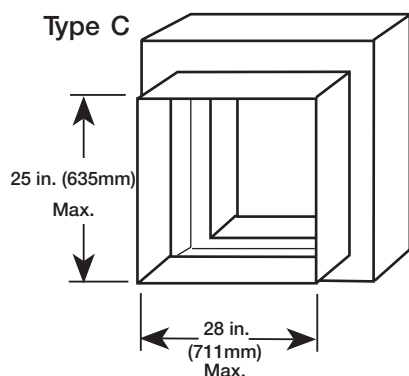
The following chart show minimum and maximum damper size. Dimensions are in inches (mm in parentheses).

## Size Limitations

inches (mm)	Type CR		Type CO & C		Type R*1	
	Minimum	Maximum	Minimum	Maximum	Minimum	Maximum
Single section Vertical	3 (76)	25 (635)	3 x 3 (76 x 76)	28 x 25 (711 x 635)	3 (76)	29 (737)

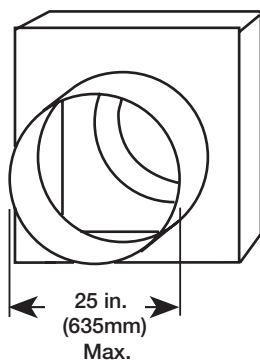
\*1 With 2 in. (50mm) offset. Sizes adjust with 0 offset & 1 in. (25mm) offset.

## Maximum Single Section Dimensions

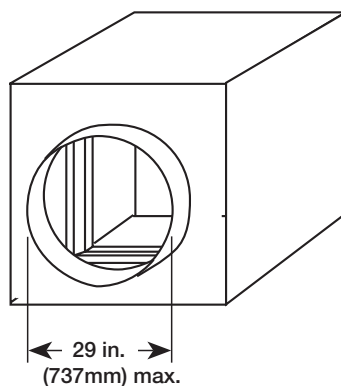


C, CO, CR transitions are positioned 1 in. (25mm) from bottom of sleeve.

Type CR

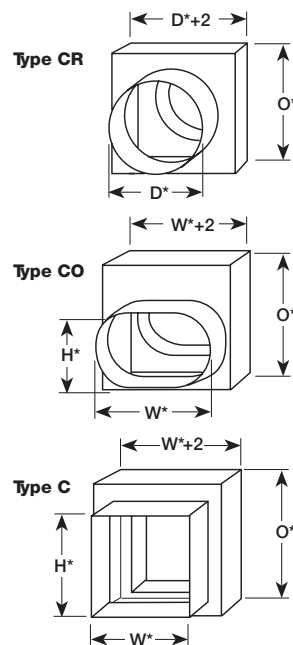


Type R



Type R transition is centered on damper frame. Dimensions are with 2 in. (50mm) offset.

## Overall Damper Dimensions



H* or D*	O*
3 (76)	6 (152)
4 (102)	7 (178)
5 (127)	8 (203)
6 (152)	9 (229)
7 (178)	10 (254)
8 (203)	11 (279)
9 (229)	12 (305)
10 (254)	13 (330)
11 (279)	14 (356)
12 (305)	15 (381)
13 (330)	16 (406)
14 (356)	17 (432)
15 (381)	19 (483)
16 (406)	20 (508)
17 (432)	21 (533)
18 (457)	22 (559)
19 (483)	23 (584)
20 (508)	24 (610)
21 (533)	25 (635)
22 (559)	27 (686)
23 (584)	28 (711)
24 (610)	29 (737)
25 (635)	30 (762)

\* Dimensions are in inches (mm). These dimensions are furnished approximately 1/4 in. (6mm) undersize.

